

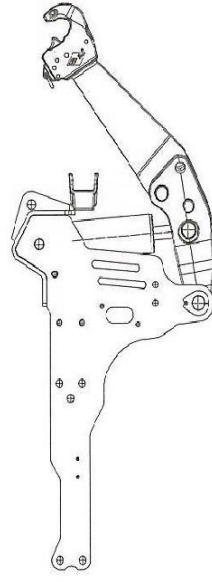
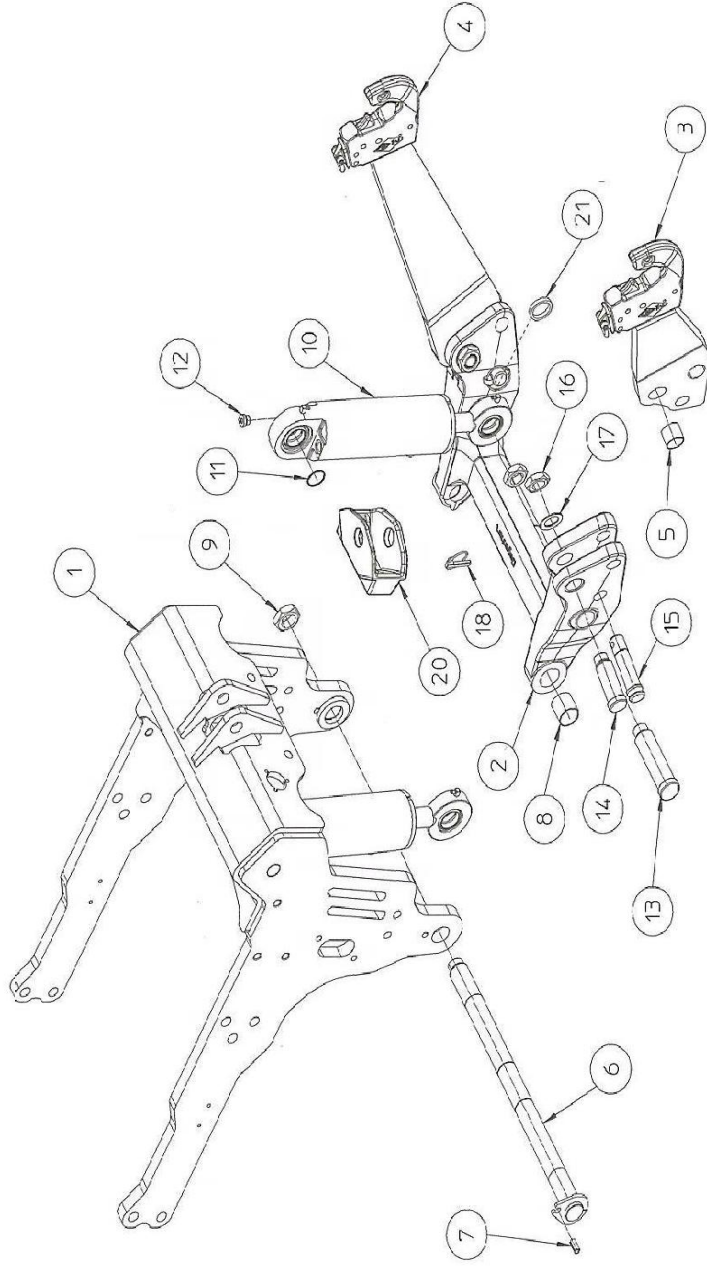
Spare parts list for 1020032A FKH JD6520-7530 5,0t

Item	Article no	Article description	Qty.
1	2.100.675	frame FKH 10200320	1
2	2.100.281	rocker arm FKH 6520-7530 5,0t	1
3	2.000.070	lower link right WS Kat. 3L	1
4	2.000.069	lower link left WS Kat. 3L	1
5	2.100.286	sleeve 35/30 for lower link	2
6	2.100.671	transverse shaft f. FKH 10200320	1
7	2.100.406	spring pin 12x25 DIN1481 neu	1
8	2.100.285	sleeve 44/40x40mm	2
9	2.100.293	nut M33x1,5 for transverse shaft	1
10	2.000.087	lifting cylinder 90/36x190 EL480	2
11	2.100.305	circlip A40	2
12	2.100.298	blind plug M16x1,5	2
13	2.100.710	threaded pin M30x1,5 5t	2
14	2.100.287	threaded pin M30x1,5 40x35x110mm	2
15	2.100.289	fixing bolt 35x30x129	2
16	2.100.292	nut M30x1,5 black	4
17	2.100.301	distance washer 50x31x2	2
18	2.000.202	split pin 10x40 verz.	2
20	2.100.302	towing coupling	1
21	2.100.711	distance washer 50x40x8	2

⑩	M33x1.5	8.8
	4.00Nm	1x

⑰	M30x1.5	8.8
	4.00Nm	4x

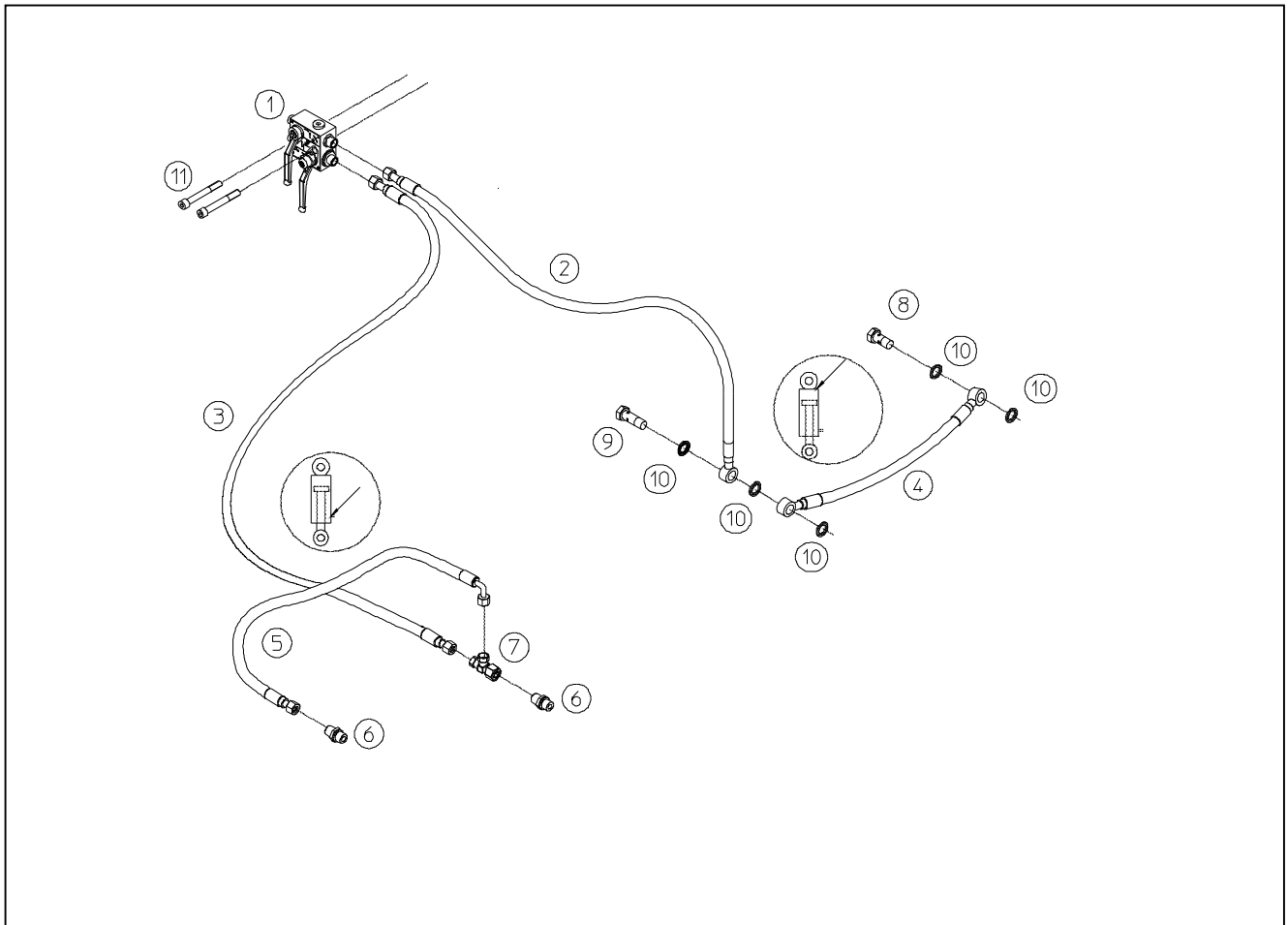
⑬	PG M16x1.5	
	60Nm	2x



1020032A JD6520-7530

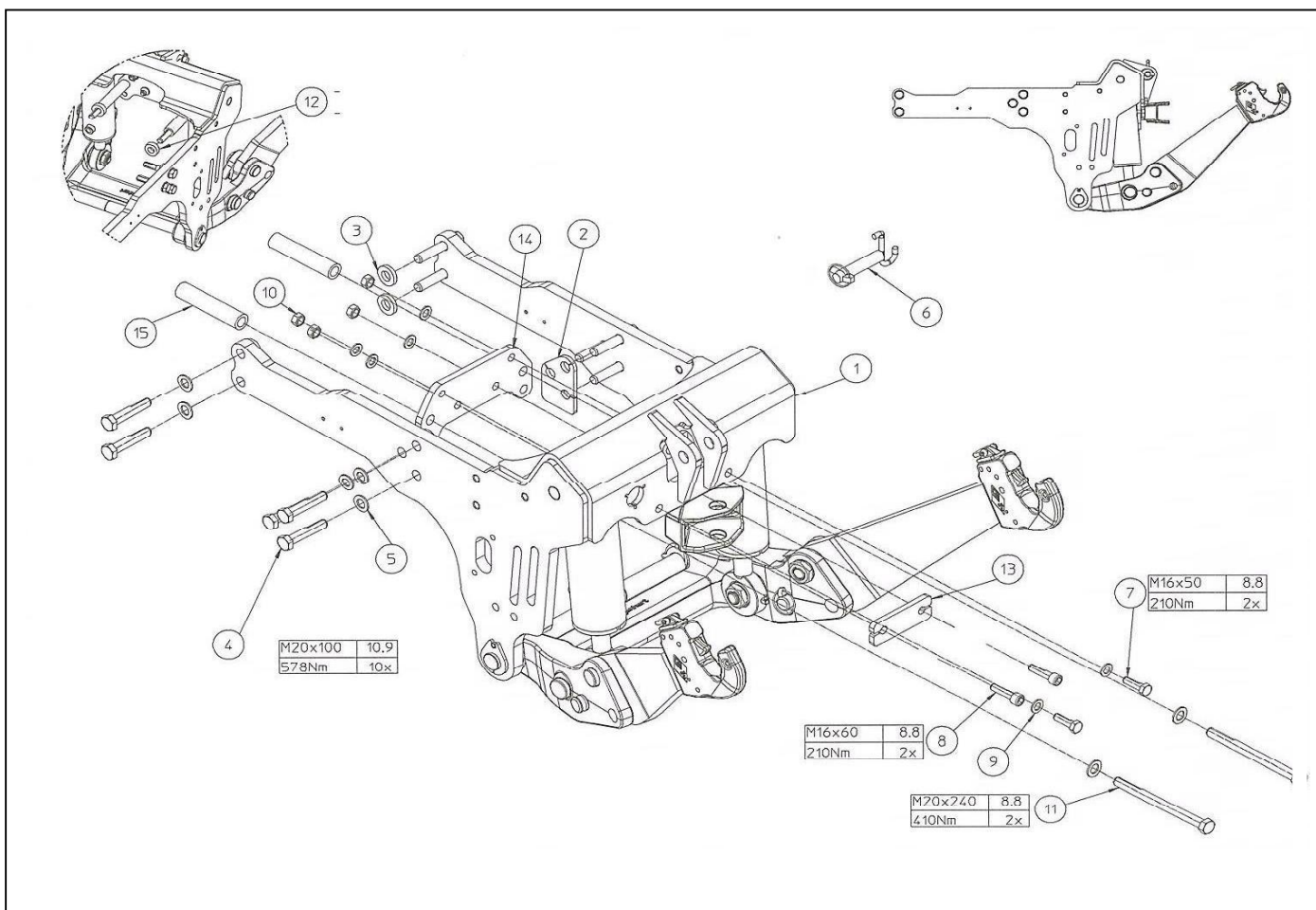
Hydraulic add-on kit FKH JD6520-7530 5,0t

Item	Article no.	Article description	Qty.
1	2.000.076B	multi valve new	1
2	2.100.701	hydr. hose l=800mm 1x12L 1xRV16	1
3	2.100.702	hydr. hose l=600mm 2x12L	1
4	2.100.737	hydr. hose l=325mm B-B M16	1
5	2.100.756	hydr. hose l=600mm 1x12L 1x12L90°	1
6	2.100.266	screw-in bolt M16x1,5 12L	2
7	1.000.069	T-fitting 12L	1
8	2.000.054	hollow bolt short M16x1,5	1
9	2.000.034	twin hollow bolt M16x1,5 long	1
8	2.000.056	sealing 16mm for hollow bolt	5
9	2.100.537	socket head screw M8x40 8.8 DIN912	2
⇓ without illustration			⇓
10	1.000.078	hydr. hose 4050mm 2x12L 1x90°	2
11	1.000.064	T-fitting for control unit	2
12	1.000.065	o-ring 19x2,5	2
13	1.000.079	socket head bolt M6x20 8.8 DIN912	2
14	1.000.061	stop nut M6	2
15	1.000.073	hose support green	4



Add-on parts FKH JD6520-7530 5,0t

	Article noI	Article description	Qty.
1	2.100.675	frame FKH 10200320	1
2	2.000.180	distance plate 8mm JD6520-7530	2
3	2.000.203	distance washer 8mm JD6520-7530	4
4	1.000.173	bolt M20x100 10.9 DIN931	10
5	1.000.105	U-washer M20	12
6	2.000.005A	upper link bolt with safety lock	1
7	2.000.025	bolt M16x50 8.8	2
8	2.100.676	socket head bolt M16x60 8.8	2
9	1.000.006	U-washer M16	6
10	2.000.089	nut M16	4
11	2.000.132	bolt M20x240 8.8	2
12	2.100.730	bush 45x23x15	2
13	2.100.678	distance plate 12mm	1
14	2.100.677	plate for towing coupling	1
15	2.100.679	distance sleeve 35x22,4x163mm	2
⇓ without illustration			⇓
7	1.001.643	sticker Degenhart	2
8	50100060	spindle upper link	1
9	1.000.031	ball Kat. 3/2	2
10	2.000.217B	upper link support complete	1



2.000.087 Lifting cylinder 90/36x190 EL480

Item	Article no.	Article description	Qty.
-	2.000.147	sealing set 90/36	1
↓ consisting of:			↓
1	-	piston sealing 90/36	1
2	-	o-ring 35,6x3,6	1
3	-	o-ring 78,4x5,3	1
4	-	back-up ring 90x4,3x1,5	1
5	-	seal ring 36x46x8	1
6	-	o-ring 90x3	1
7	-	seal ring with dust lip 36x46x6	1
XXXXXXXXXXXXXXXXXXXX	XXXXXXXXXXXXXXXXXXXX	XXXXXXXXXXXXXXXXXXXXXXXXXXXXXXXXXXXX	XXXXXXXXXX
8	2.100.626	spherical bearing for lifting cylinder 40mm	2
9	2.100.757	cylinder housing 2.000.087	1
10	2.100.758	piston for lifting cylinder 90/36	1
11	2.100.417	piston rod 90/36x190 EL480	1
12	2.100.759	piston guide 90/36	1
13	2.000.210	lubricating nipple M6 90°	1

