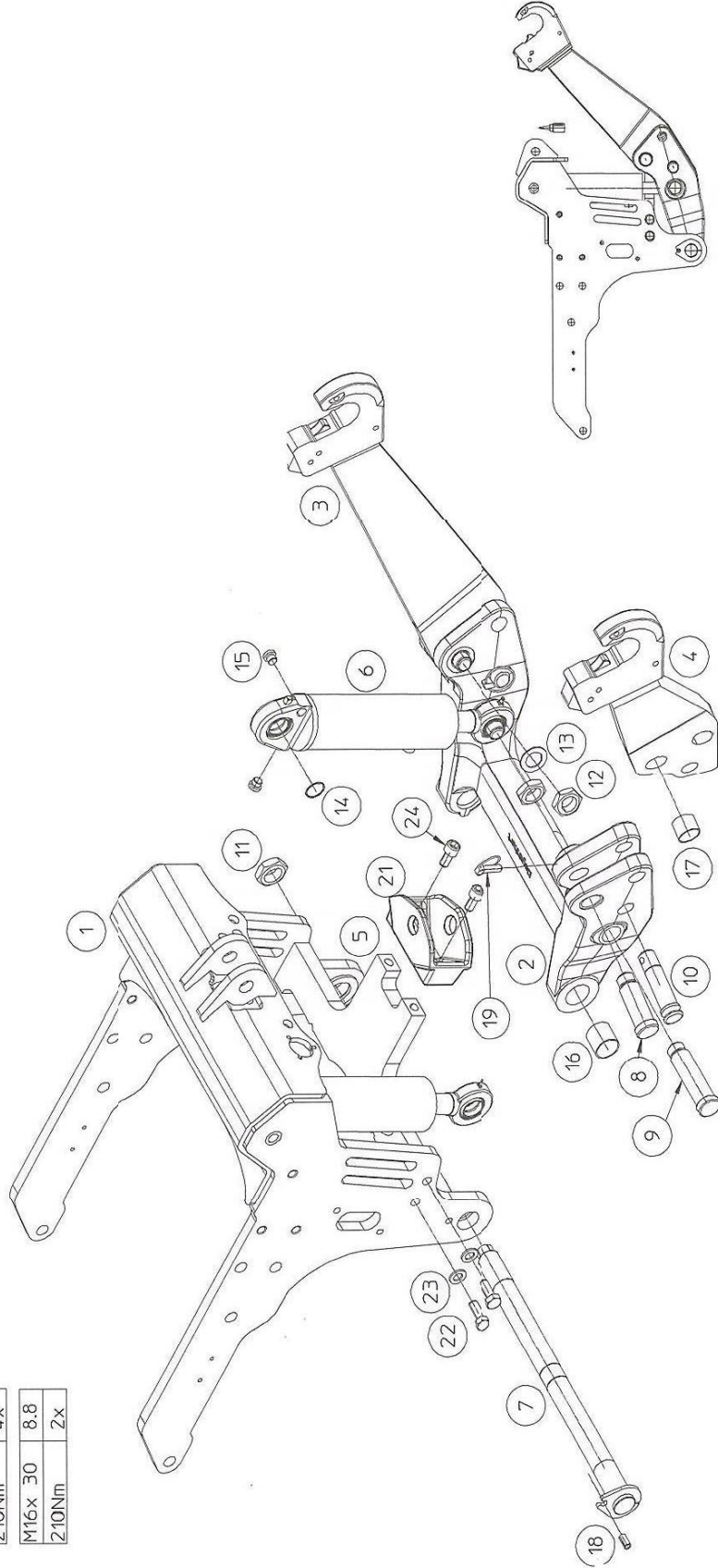


## Spare parts list

### 10200070 FKH JD6020-6420

Pos.	Article no.	Article description	Qty
1	2.100.472	frame FKH JD6120-6430	1
2	2.100.423	rocker arm FKH 6100-7530 3,5to.	1
3	2.000.070	lower link right WS Kat. 3L	1
4	2.000.069	lower link left WS Kat. 3L	1
5	2.100.407	plate tow coupling DH1 series 20	1
6	2.100.269	lifting cylinder 80/36x190 EL455	2
7	2.100.383	transverse shaft l=508mm M33x1,5	1
8	2.100.287	threaded bolt M30x1,5 40x35x110mm	2
9	2.100.290	threaded bolt M30x1,5 40x35x147mm	2
10	2.100.289	fixing pin 35x30x129	2
11	2.100.293	nut M33x1,5 f. transverse shaft	1
12	2.100.292	nut M30x1,5 black	4
13	2.100.301	distance washer 50x31x2	2
14	2.100.297	circlip A35	2
15	2.100.298	blind plug M16x1,5	3
16	2.100.285	sleeve 44/40x40mm	2
17	2.100.286	sleeve 35/30 for lower link	2
18	2.100.406	split pin 12x25 DIN1481 new	1
19	2.000.202	split pin 10x40 galvanized	2
21	2.100.302	tow coupling	1
22	1.001.241	bolt M16x40 8.8	4
23	1.000.006	U-washer 17mm DIN125A verz.	4
24	2.100.459	socket head cap screw M16x30 8.8	2

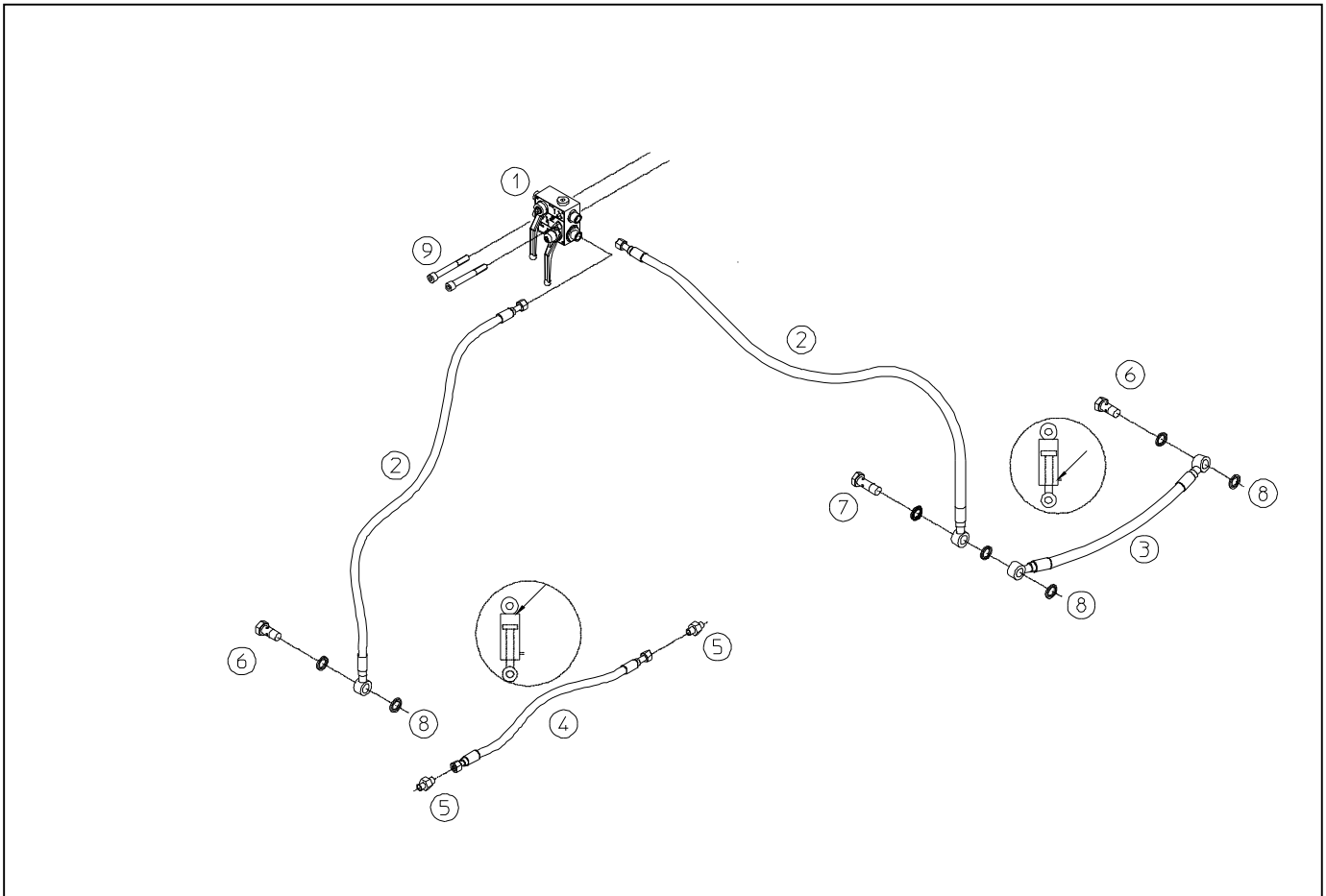
M33x1,5	8,8
400Nm	1x
M30x1,5	8,8
400Nm	4x
PG M16x1,5	
60Nm	4x
M16x 40	8,8
210Nm	4x
M16x 30	8,8
210Nm	2x



10200010\_10200070 JD6120-6430

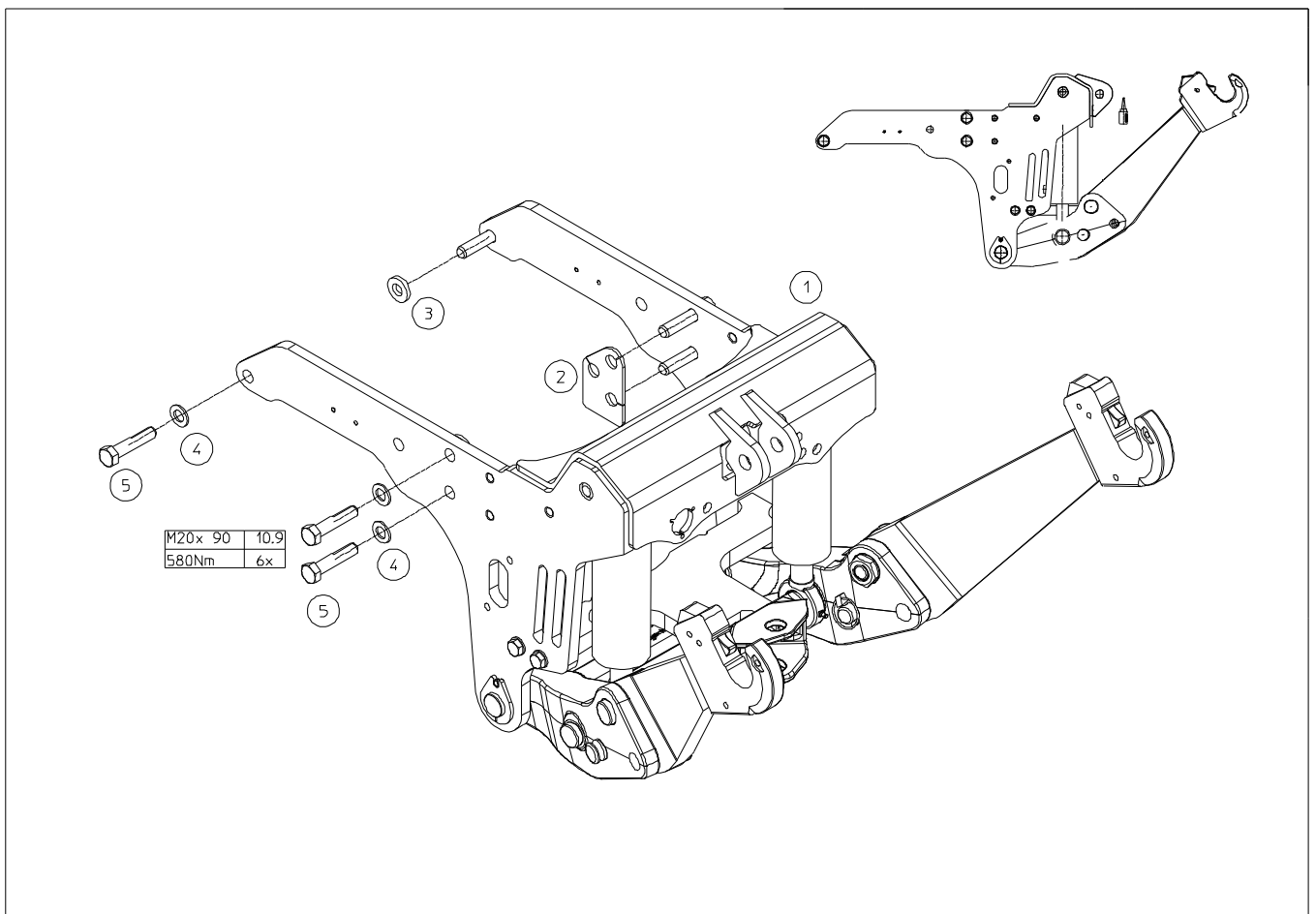
# Hydraulic add-on kit FKH JD6020-6420

Pos.	Article no	Article description	Qty.
1	2.000.076B	multi valve new	1
2	2.000.220	hydraulic hose l=700mm 1x12L	2
3	2.100.408	hydraulic hose l=800mm B-B M16 20er	1
4	2.100.265	hydraulic hose l=300 2x12L	1
5	2.100.266	screw-in nipple M16x1,5 12L	2
6	2.000.054	hollow bolt short M16x1,5	2
7	2.000.034	twin hollow bolt M16x1,5 long	1
8	2.000.056	sealing 16mm for hollow bolt	7
9	2.100.537	socket head cap screw M8x40 8.8 DIN912	2
⇓ without illustration			⇓
10	1.000.246	hydraulic hose 3500mm 2x12L 1x90°	2
11	1.000.064	T-fitting for control unit	2
12	1.000.065	o-ring 19x2,5	2
13	1.000.086	angle 12L 90°	2
14	1.000.079	socket head cap screw M6x20 8.8 DIN912	2
15	1.000.061	stop nut M6	2
16	1.000.073	hose support green	4



# Add-on parts FKH JD6020-6420

Item	Article no.	Article description	Qty
1	2.100.472	frame JD6120-6420	1
2	2.000.179	distance plate 6mm 6120-6430	2
3	2.100.435	distance plate 6mm 6120-6430	2
4	1.000.105	U-washer 21mm DIN125B	6
5	1.001.311	bolt M20x90 10.9 DIN931	6
↓ without illustration			↓
6	1.001.643	sticker Degenhart	2
7	2.000.005A	upper link bolt with locking device	1
8	1.000.031	ball cat 3/2	2
9	50100060	spindle upper link	1
10	2.000.217B	cpl. upper link	1



## 2.100.269 Lifting cylinder 80/36x190 EL455

Item	Article no.	Article description	Qty.
-	2.000.146	sealing set 80/36	1
↓ consisting of:			↓
1	-	piston sealing 80x66x16	1
2	-	o-ring 35,6x3,6	1
3	-	o-ring 68,7x5,3	1
4	-	backup ring 80x4,65x1,5	1
5	-	seal ring 36x46x8	1
7	-	seal ring with dust lip 36x44	1
XXXXXXXXXXXXXXXXXXXX	XXXXXXXXXXXXXXXXXXXX	XXXXXXXXXXXXXXXXXXXXXXXXXXXXXXXXXXXX	XXXXXXXXXX
8	2.100.739	spherical bearing for cylinder 2.100.269	2
9	2.100.780	cylinder housing for 2.100.269	1
10	2.100.669	piston for lifting cylinder 80/36	1
11	2.100.418	piston rod 80/36x190 EL455	1
12	2.100.506	piston guide 80/36	1
13	2.000.210	lubricating nipple M6 90°	1
15	1.000.023	lubricating nipple M6x1	1

