

Spare parts list for 102000310 FKH JD6520-7530 3,5t

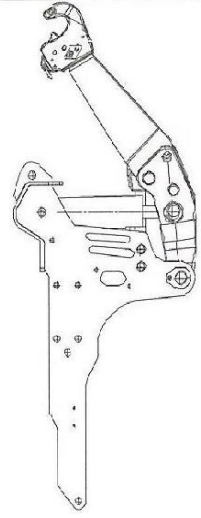
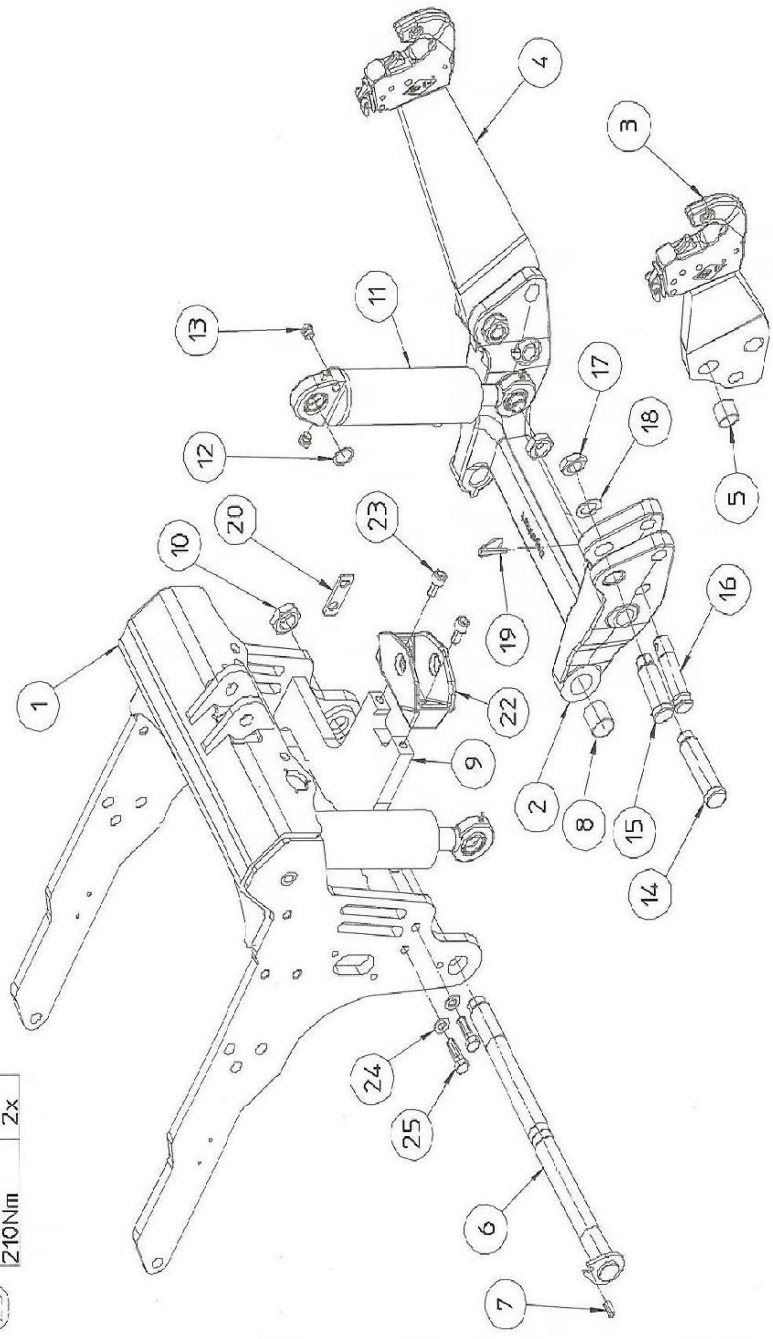
Item	Article no.	Article description	Qty.
1	2.100.712	frame FKH 10200310	1
2	2.100.423	rocker arm FKH 6100-7530 3,5t	1
3	2.000.070	lower link right. WS Kat. 3L	1
4	2.000.069	lower link left WS Kat. 3L	1
5	2.100.286	sleeve 35/30 f. lower link	2
6	2.100.384	transverse shaft l=600mm M33x1,5	1
7	2.100.406	spring pin 12x25 DIN1481 neu	1
8	2.100.285	sleeve 44/40x40mm	2
9	2.100.407	plate towing coupling DH1 series 20	1
10	2.100.293	nut M33x1,5 for transverse shaft	1
11	2.100.269	lifting cylinder 80/36x190 EL455	2
12	2.100.297	circlip A35	2
13	2.100.298	blind plug M16x1,5	3
14	2.100.290	threaded bolt M30x1,5 40x35x147mm	2
15	2.100.287	threaded bolt M30x1,5 40x35x110mm	2
16	2.100.289	fixing bolt 35x30x129	2
17	2.100.292	nut M30x1,5 black	4
18	2.100.301	distance washer 50x31x2	2
19	2.000.202	split pin 10x40 galv.	2
20	2.000.159	distance plate 5mm	2
22	2.100.302	towing coupling	1
23	2.100.459	socket head screw M16x30 8.8	2
24	1.000.006	U-washer 17mm DIN125A verz.	4
25	2.000.025	bolt M16x50 8.8	4

17	M30x1.5	8.8
	400Nm	4x

13	PG M16x1.5	3x
	60Nm	

25	M16x50	8.8
	Z10Nm	4x

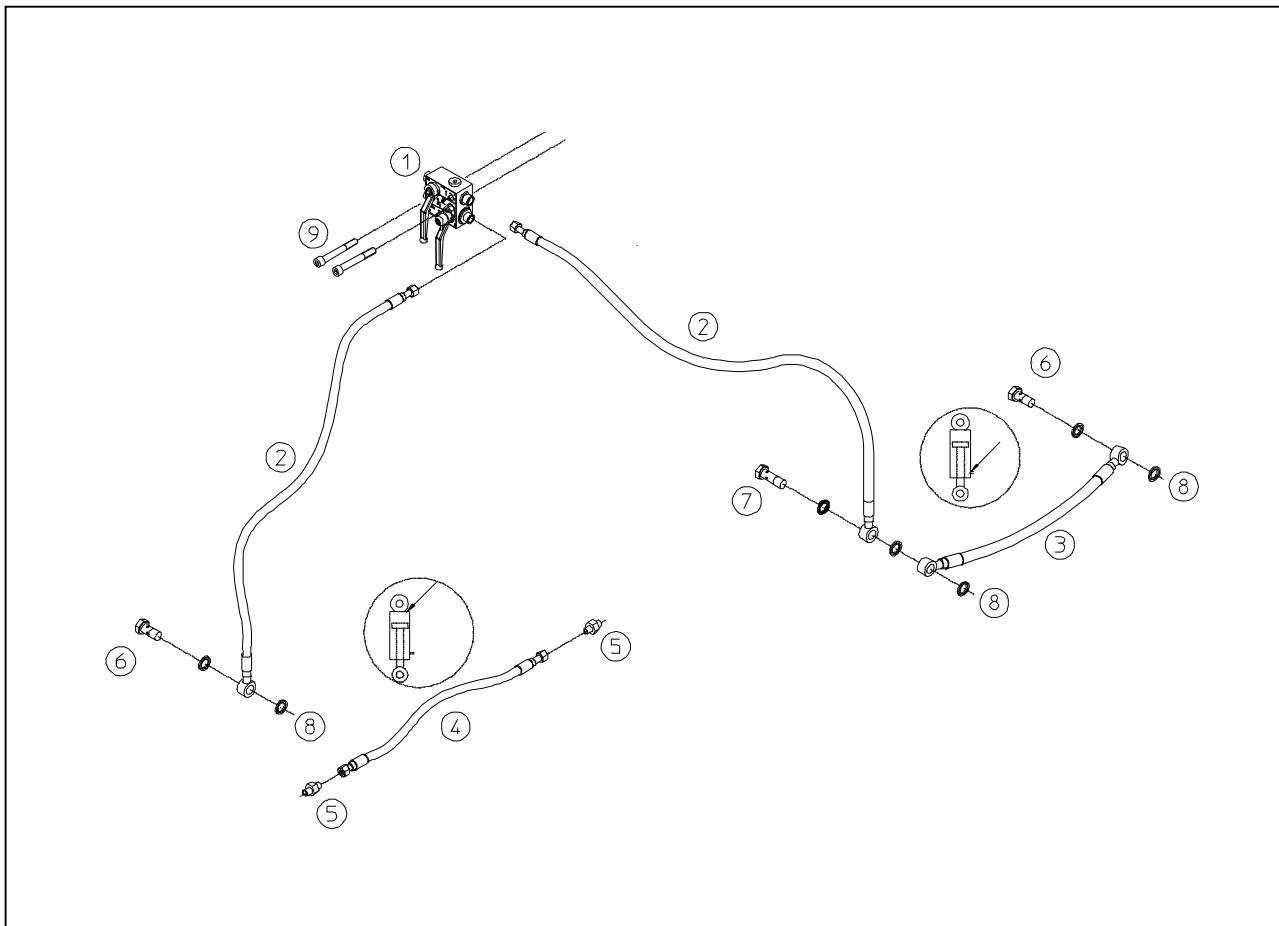
23	M16x30	8.8
	Z10Nm	2x



10200310 JD6520-7530

Hydraulic add-on kit FKH JD6520-7530 3,5t

Item	Article no:	Article description	Qty.
1	2.000.076B	multi valve new	1
2	2.000.220	hydr. hose l=700mm 1x12L 1xRV16mm	2
3	2.100.408	hydr. hose l=800mm B-B M16 20er	1
4	2.100.265	hydr. hose l=300 2x12L	1
5	2.100.266	screw-in nipple M16x1,5 12L	2
6	2.000.054	hollow bolt short M16x1,5	2
7	2.000.034	twin hollow bolt M16x1,5 long	1
8	2.000.056	gasket 16mm f. hollow bolt	7
9	2.100.537	socket head bolt M8x40 8.8 DIN912	2
↓ without illustration			↓
10	1.000.078	hydraulic hose 4050mm 2x12L 1x90°	2
11	1.000.064	T-fitting for control unit	2
12	1.000.065	o-ring 19x2,5	2
13	1.000.086	angle 12L 90°	2
14	1.000.079	socket head bolt M6x20 8.8 DIN912	2
15	1.000.061	stop nut M6	2
16	1.000.073	hose support green	4



Add-on parts FKH JD6520-7530 3,5t

Item	Article no.	Article description	Qty
1	2.100.712	frame JD6520-7530 3,5t.	1
2	2.000.180	distance plate 8mm JD6520-7530	2
3	2.000.203	distance washer 8mm JD6520-7530	2
4	1.000.173	bolt M20x100 10.9 DIN931	8
5	1.000.105	U-washer M20	8
6	2.000.005A	upper link bolt with safety lock	1
⇓ without illustration			⇓
7	1.001.643	sticker Degenhart	2
8	50100060	spindle upper link	1
9	1.000.031	ball Kat. 3/2	2
10	2.000.217B	upper link support cpl.	1

